

Betriebsanleitung
 Operating Instructions
 Instructions de service
 Istruzioni d'uso
 Handleiding
 Instrucciones para el manejo
 Manual de instruções
 Naudojimosi instrukcija
 Kasutusjuhend
 Lietošanas instrukcija
 Driftsinstruks
 Driftsinstruktioner
 Käyttöohje
 Driftsvejledning
 Instrukcja obsługi


Kezelési útmutató
 Návod k obsluze
 Navodilo za uporabo
 Návod na obsluhu
 Upute za rad
 Manual de operatii
 Treoracha Oibriúcháin
 Οδηγίες χρήσης
 El Kitabi
 Инструкции за експлоатация
 Инструкция по эксплуатации
 取扱説明書
 사용설명서
 使用说明书

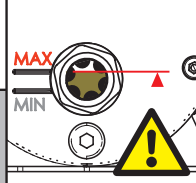
2006/42/EG



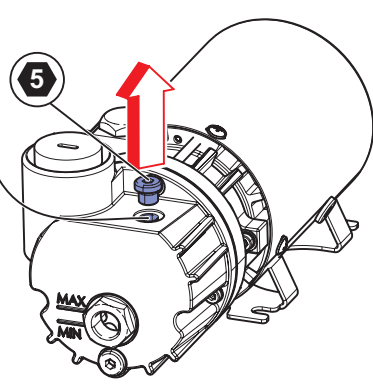
<p>E.4</p> <p>0.06 Liter</p>	<p>duty type</p> <p>S3 S4 S10</p> <p>S3 ▶ max. 85%/10min</p> <p>Max. Vacuum -</p>
<p>AIR</p> <p>1</p>	<p>D-42279 Wuppertal www.becker-international.com</p> <p>CE</p> <p>type _____ year _____ No _____</p> <p>frequency _____ Hz speed _____ min⁻¹ power required _____ kW inlet capacity MAX. V m³/h max. vacuum MAX VACUUM mbar</p> <p>Made in Germany</p>

<p>3</p> <p>5,5 kg 12,1 lbs</p>	<p>35°C/95°F 5°C/41°F</p> <p>INLET AIR</p> <p>40°C/104°F 0°C/32°F</p>	<p>max. 90% rel.</p> <p>A > 100mm A > 4"</p>	<p>max. 1000m ↑</p>
	<p>4</p>		


E.4  **0.06 Liter**



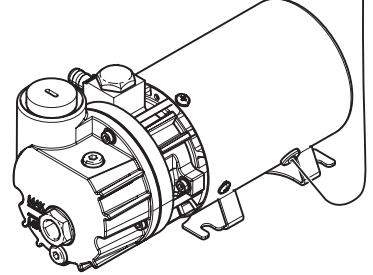
5



Mate-N-Lok


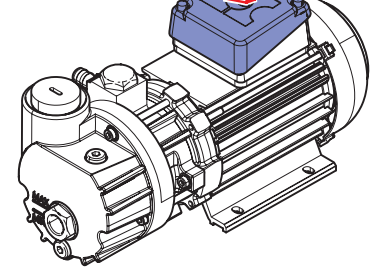


1 ph



6

3 ph

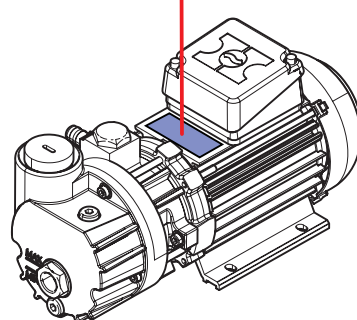
6.1

i+

BECKER Mat.Nr. XXXXXX 3~Mot. XXXXXXXX ENXXXX CE

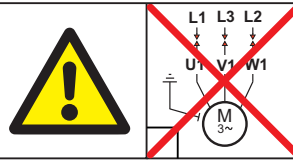
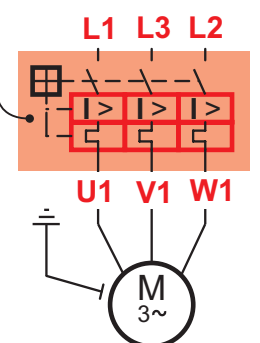
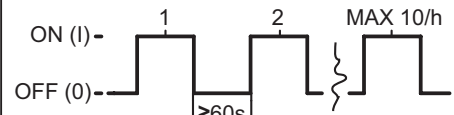
50 Hz	XXKW	60 Hz	XXKW
XXX-XXX / XXX-XXX V Δ / Y		XXX-XXX / XXX-XXX V Δ / Y	
XX-XX / XX-XX A		XX-XX / XX-XX A	
cos φ 0,XX-0,XX		cos φ 0,XX-0,XX	
XXXX-XXXX /min		XXXX-XXXX /min	

XX kg

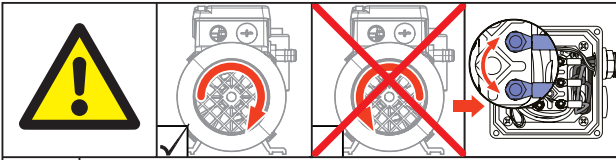
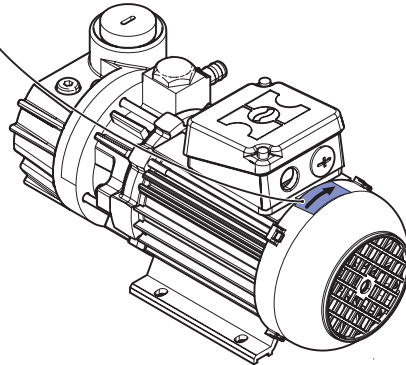


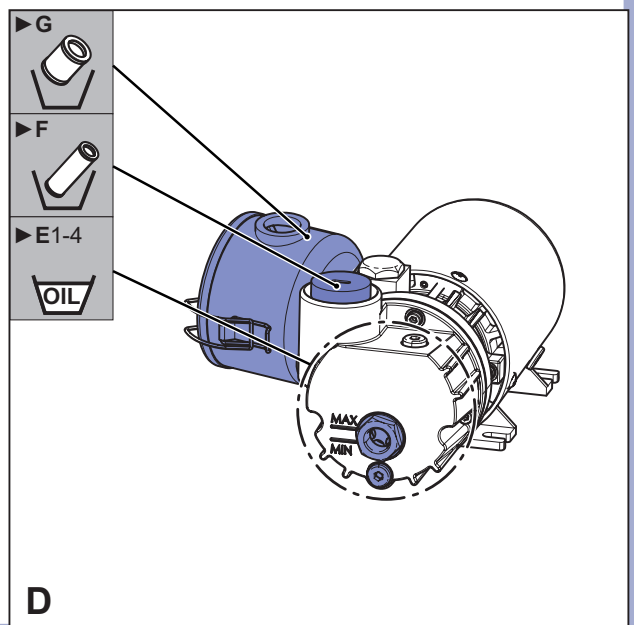
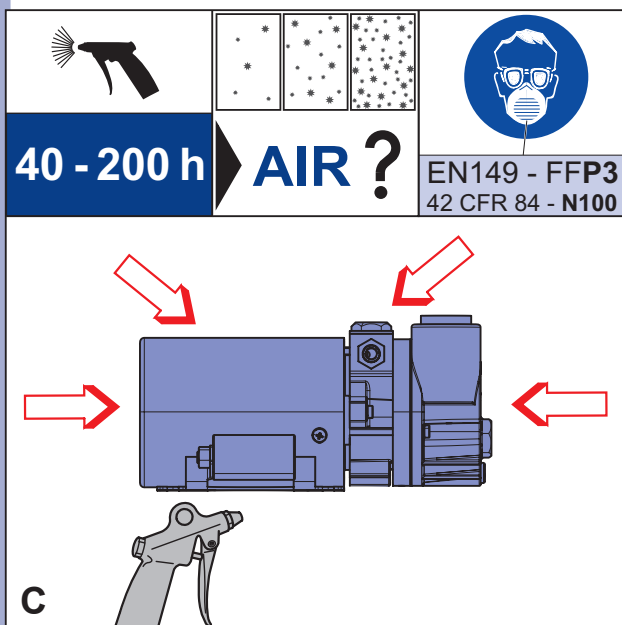
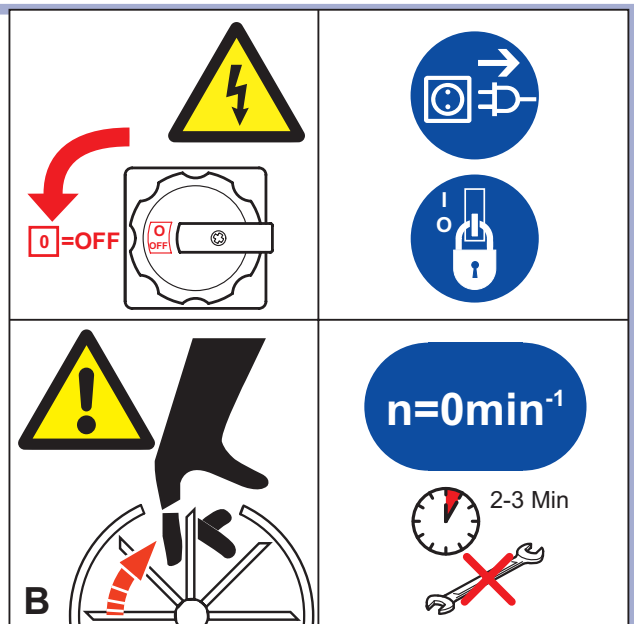
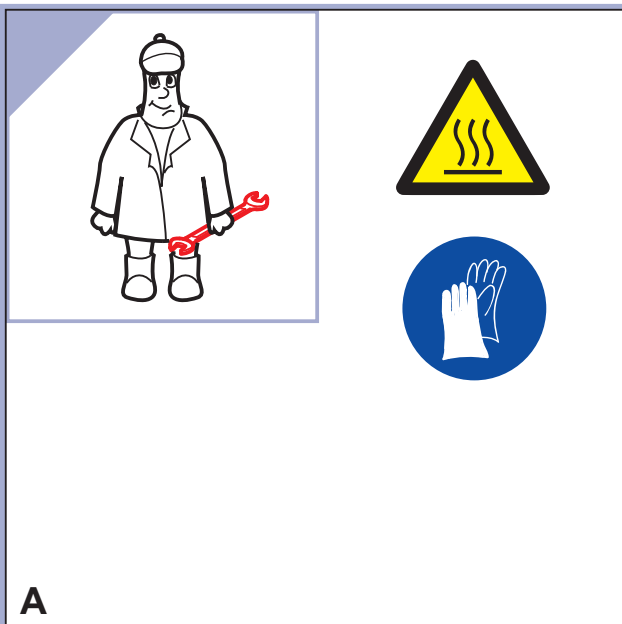
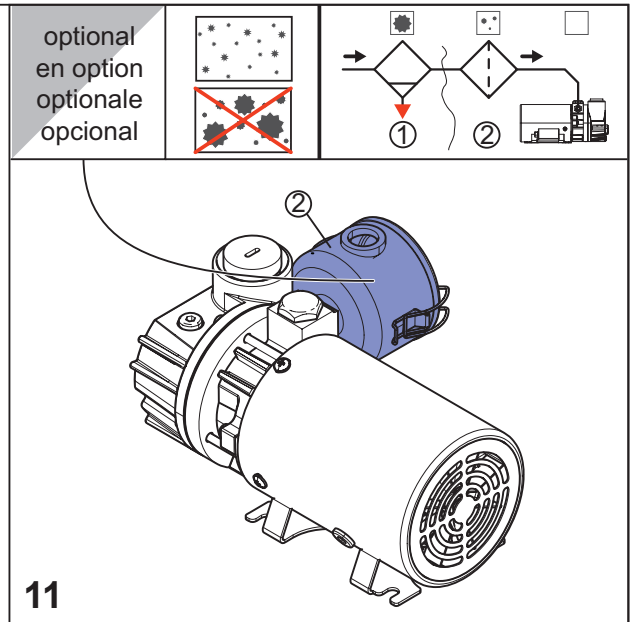
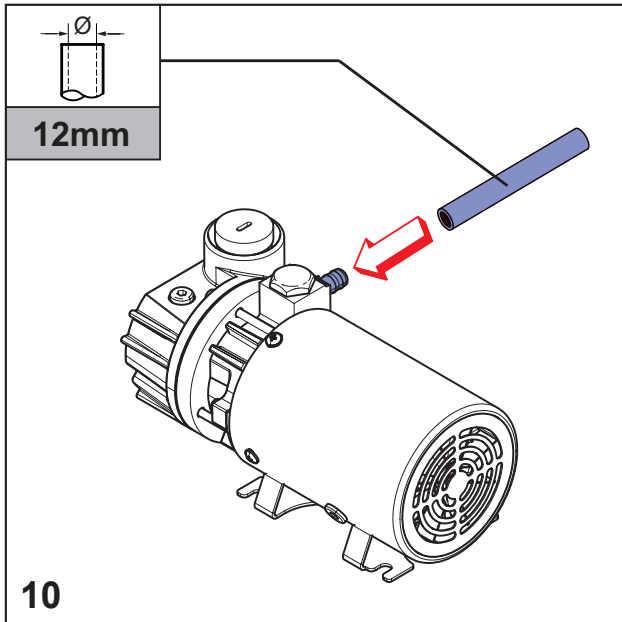
7.1

8.1

9.1



<p>MAX ▾ MIN ▲</p>		<p>⚠ < MIN</p> <p>► E.4</p>
<p>1x/d</p>		
<p>E.1</p>		

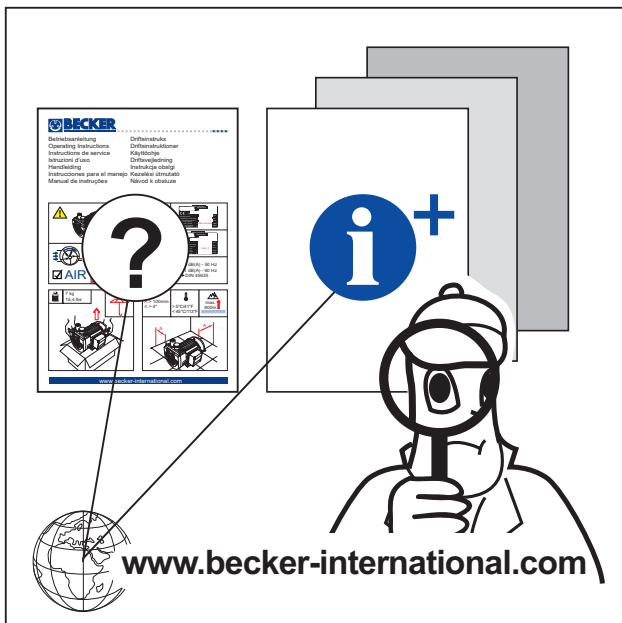
<p>1. = 100 h 2. = 500-2000 h ... (min. 2x/a)</p>	<p>OIL</p>	
<p>E.2</p>		

<p>► E.4</p>	<p>MAX MIN</p> <p>⚠</p>
<p>0.06 Liter</p>	
<p>E.3</p>	

96001700025	Becker Lube M 32 Mineral oil (0.25 Liter)
96000320025	Becker Lube S 32 Synthetic oil (0.25 Liter)
96001800025	Becker Lube SL 32 "Food" oil (0.25 Liter)
<p>E.4</p>	

<p>500-2000 h (min. 2x/a)</p>	<p>AIR ?</p>	
<p>F</p> <p>Pos. 16 No.: 96540055100</p>		

<p>40 - 200 h</p>	<p>AIR ?</p>	<p>MIN 1x/a</p>
<p>G</p> <p>No.: 84040105000 (paper) No.: 90956500000 (polyester)</p>		



 **BECKER**

Gebr. Becker GmbH
Hölker Feld 29-31
D-42279 Wuppertal
info@becker-international.com

 **SERVICE**
www.becker-international.com
Sales and service network